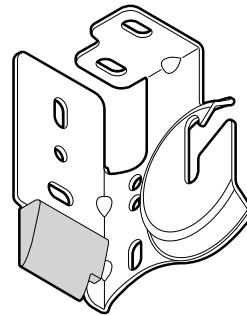
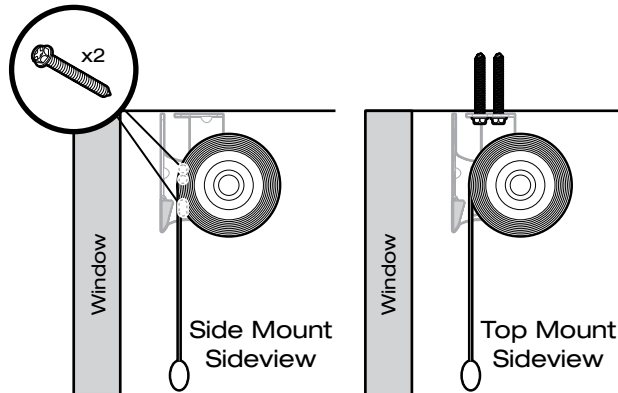
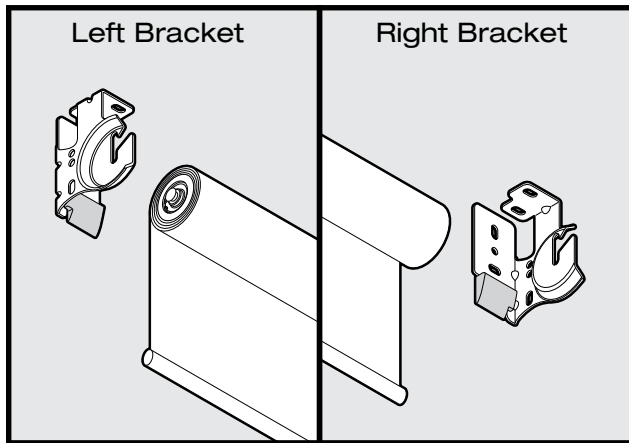


2.5 Universal Bracket



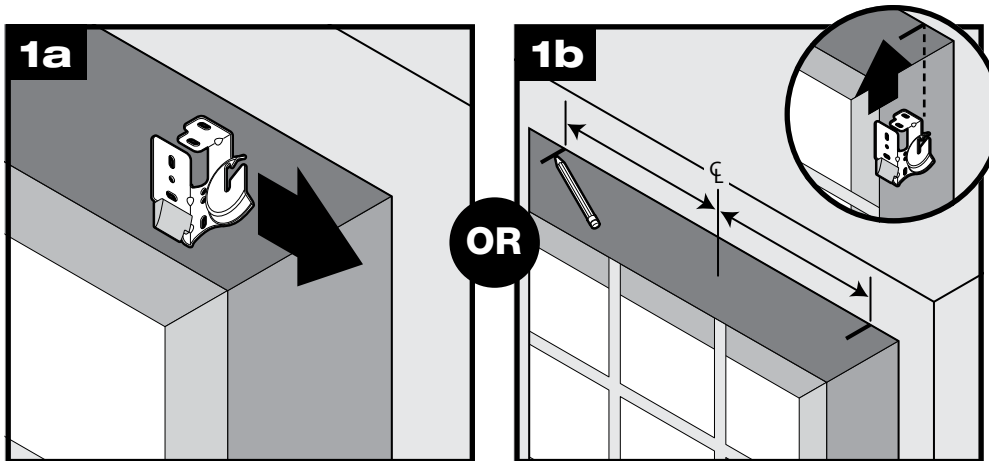
Inside Mount (Side and Top Mount)



NOTE: Verify shade travel path is clear of all obstructions.

NOTE: Before you begin, verify shade will fit opening. Adjust depth to establish proper clearance for shade in full open position and so that full up position is not in front of opening.

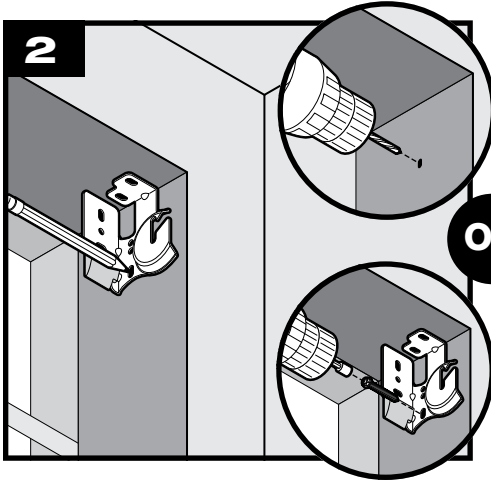
- a. If shade was ordered to same size as opening, place bracket in corner of window jamb.
- b. If shade was ordered to a smaller size than opening, center shade in window opening.



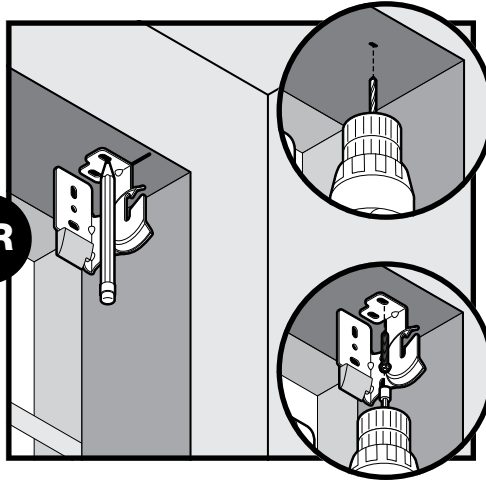
Place brackets in top corner of window opening.

Find and mark center of opening. Mark top of window jamb on each side of window 1/2 the bracket-to-bracket dimension for the shade. Align outside edge of bracket with mark.

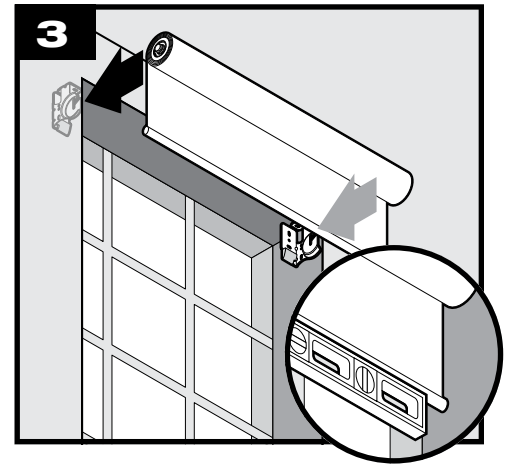
Inside Mount (Side and Top Mount) – Cont'd



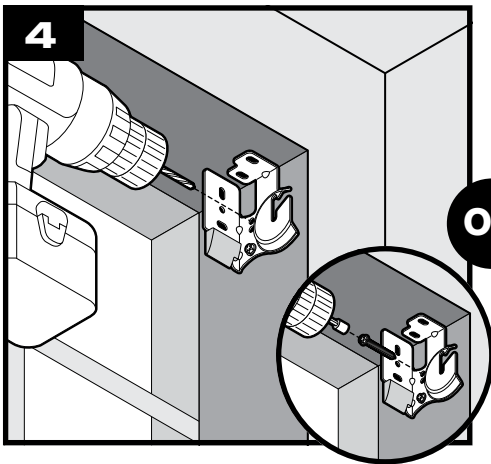
SIDE MOUNT: Mark bottom of slotted hole on side of bracket. Drill 3/32" pilot hole on mark. If necessary, use wall anchor (not included). Secure brackets with one screw using a 1/4" driver.



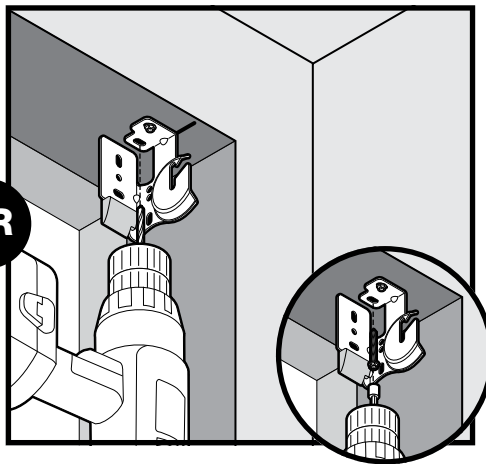
TOP MOUNT: Mark center of slotted front hole on top of bracket. Drill 3/32" pilot hole on mark. If necessary, use wall anchor (not included). Secure brackets with one screw using a 1/4" driver.



Dry fit top shade and check vertical side gaps and if shade is level. Adjust brackets if necessary by loosening screw and moving bracket down in slot. Once level, remove shade and tighten screw.



SIDE MOUNT: Drill second 3/32" pilot hole. If necessary, use wall anchor (not included). Secure brackets with second screw using a 1/4" driver.



TOP MOUNT: Drill second 3/32" pilot hole. If necessary, use wall anchor (not included). Secure brackets with second screw using a 1/4" driver.

QMotion Customer Support

www.qmotionshades.com
 qmotioninfo@homerunholdings.com
 Toll Free 1-877-849-6070